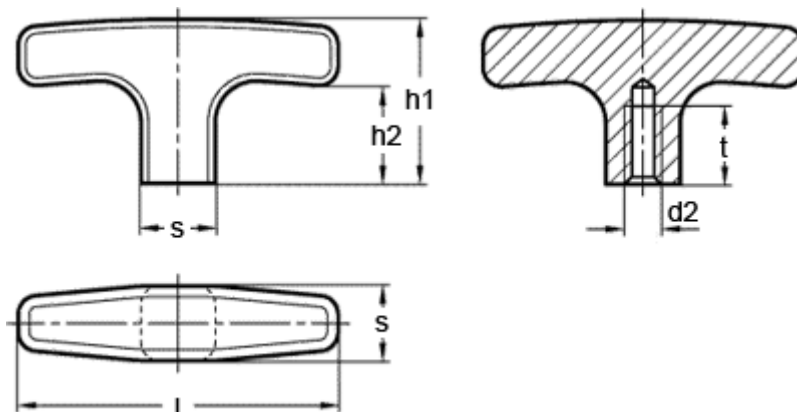


Article number: 20289477

Description: E+G T-Handle GN 563.2-80-M10-SW

## Measures



$d_2 = M10$

$h_1 = 41$

$h_2 = 26$

$l = 80$

$s = 20$

$t \text{ min} = 16$